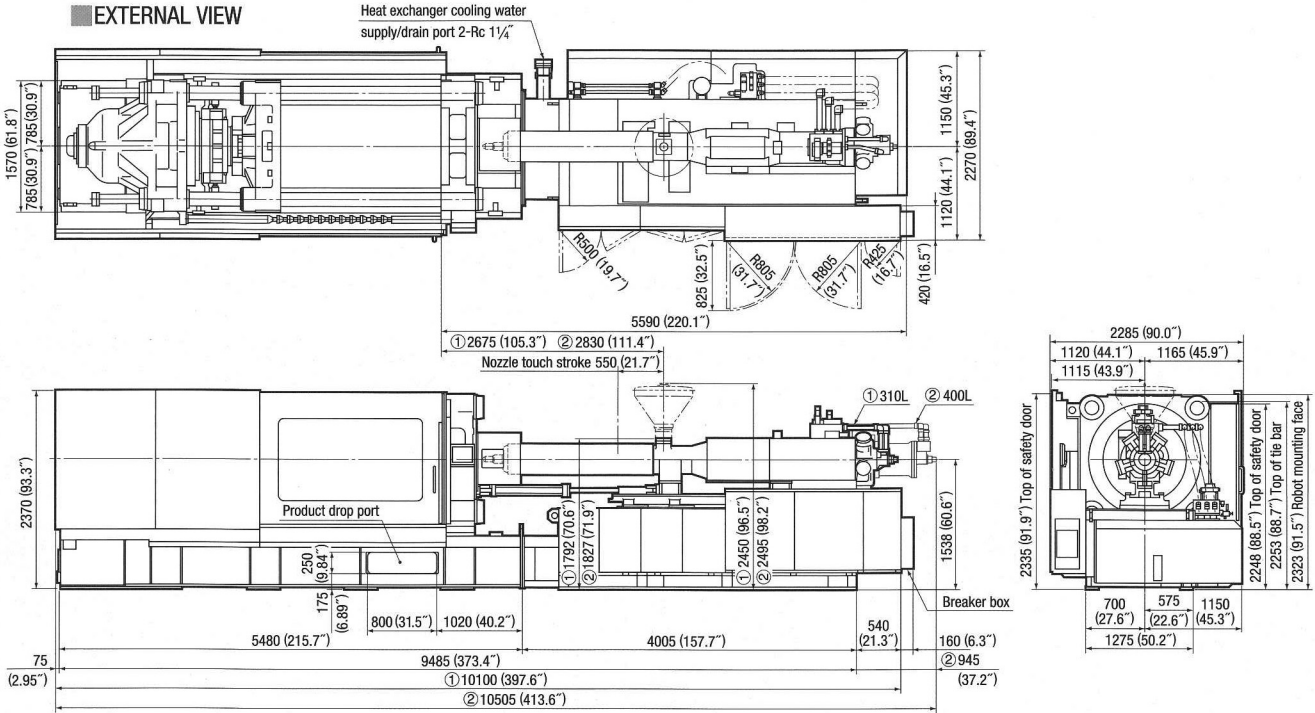


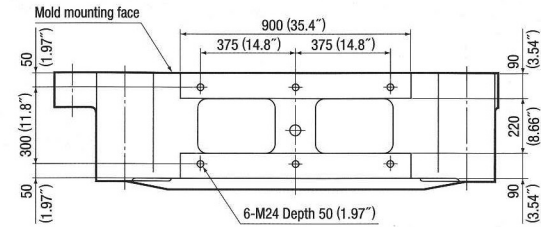
All specs and dimensions are subject to change without notice or may differ depending upon export destinations and manufactured year. Nissei is not responsible for any inaccuracies contained herein. Please consult our sales representative or Nissei regional offices before designing the mold.

**FVX SERIES** **FVX660** [Injection type : ①310L ②400L]

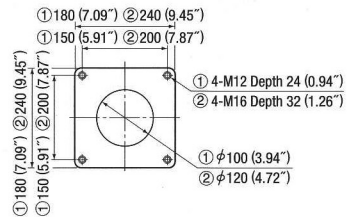
**US Spec Machine**  
(Not for use in other countries)



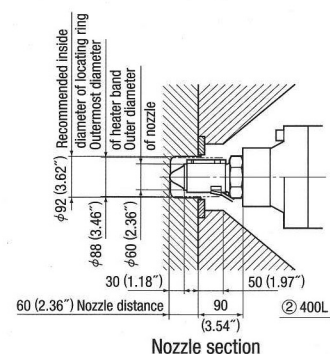
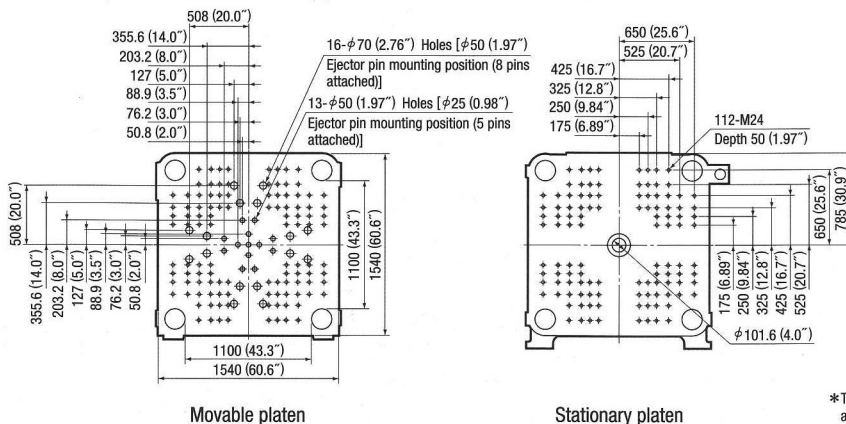
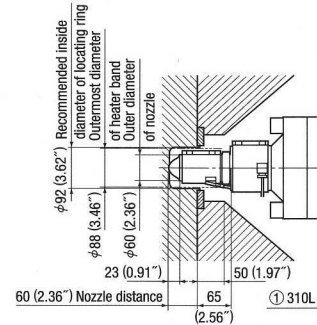
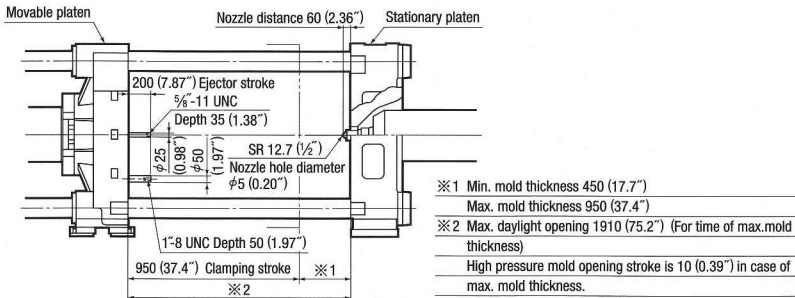
**ROBOT FIXATION DIAGRAM**



**HOPPER FIXATION DIAGRAM**



**MOLD ATTACHMENT DIAGRAM**



\*The minimum mold dimensions of 730 (28.7") x 730 (28.7") are required in order to achieve the maximum clamping force.