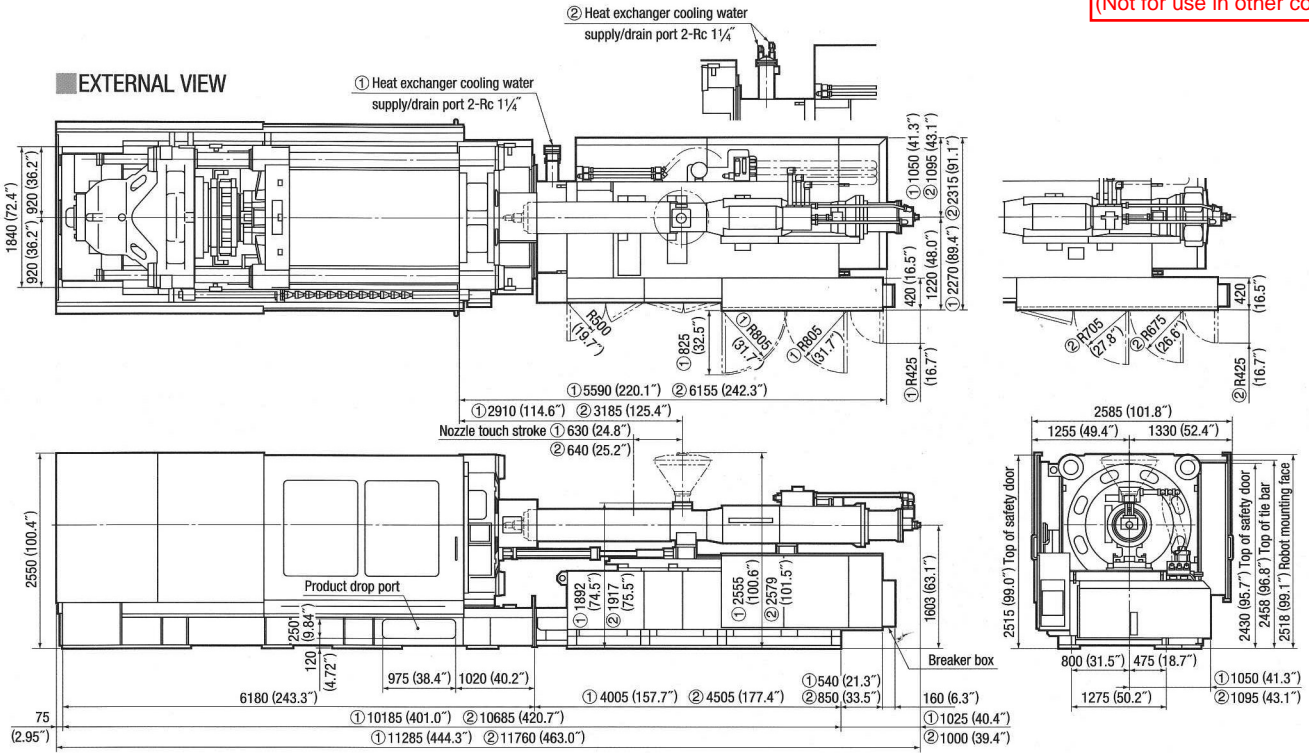


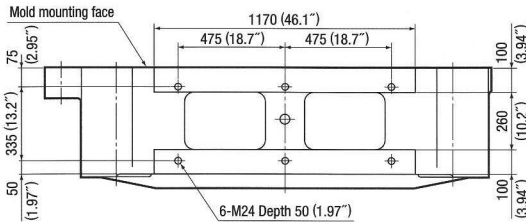
All specs and dimensions are subject to change without notice or may differ depending upon export destinations and manufactured year. Nissei is not responsible for any inaccuracies contained herein. Please consult our sales representative or Nissei regional offices before designing the mold.

FVX SERIES **FVX860** [Injection type : ①400L ②600L]

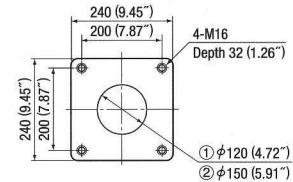
US Spec Machine
(Not for use in other countries)



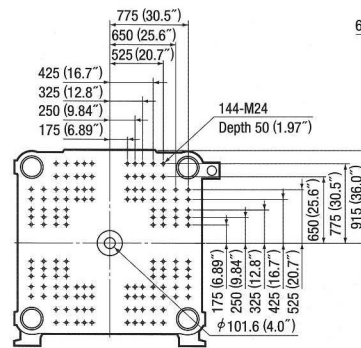
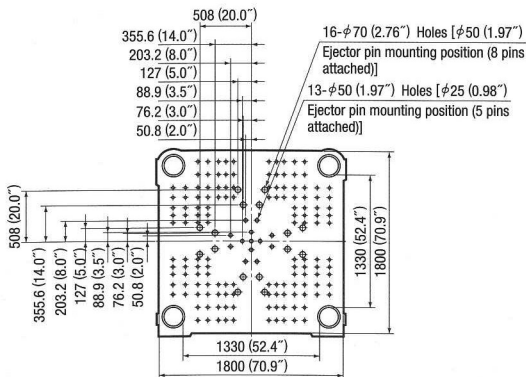
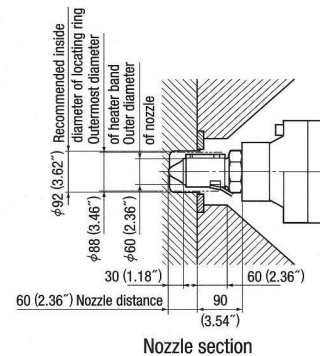
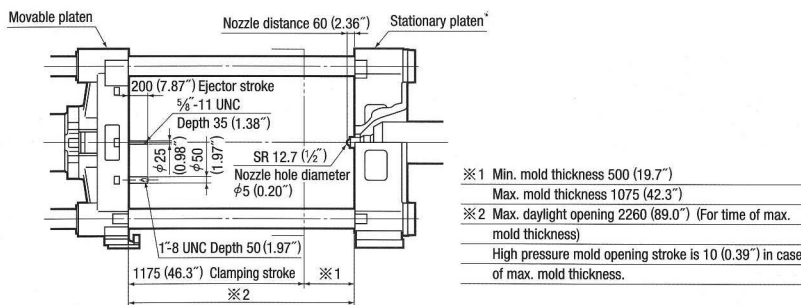
ROBOT FIXATION DIAGRAM



HOPPER FIXATION DIAGRAM



MOLD ATTACHMENT DIAGRAM



*The minimum mold dimensions of 880 (34.6") × 880 (34.6") are required in order to achieve the maximum clamping force.